

The following tree planting suggestions are based on our experiences and arborist recommendations. Bear in mind that there are thousands of different species of trees and that soil quality and growing conditions vary widely from site to site. Consult with a local arborist if you have any questions.

STEP 1

Select the tree and its location carefully. For example, don't plant a tree that loves sun in the shade, or plant a tall tree under utility wires. Consult with the nursery for recommendations for your location.

STEP 2

Prepare the initial planting hole. The hole will need to be at least three times as wide as the root ball and as deep as the height of the root ball (see Figure 1). This allows for the diameter of the five joined panels. Consider if drainage devices or amendments are needed to correct any adverse soil or planting conditions in the backfill area. Pay attention to the ability of the soil to drain water. Drainage is vital to a tree's survival and must be correct at planting time.

FIGURE 1

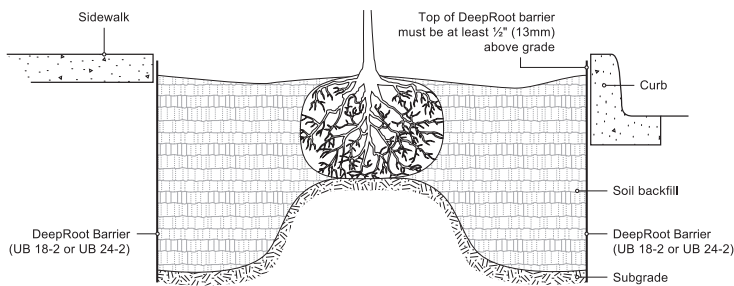


TABLE A

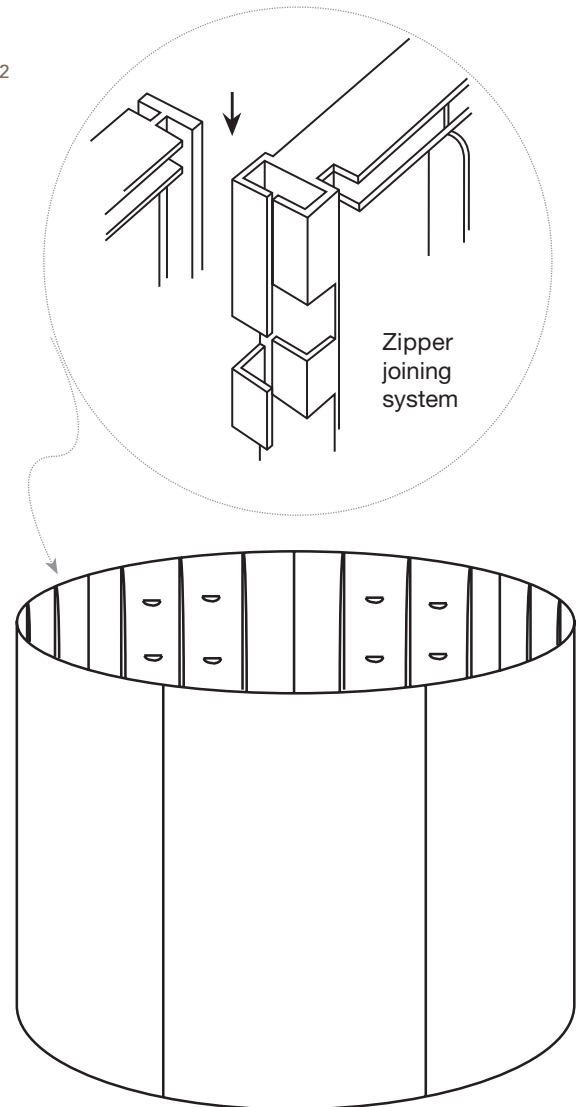
The following chart details the sizing and quantity of panels required for planting. Check with the nursery for the approximate trunk caliper of the tree you are planting. Five (5) panels included in this package.

Mature trunk caliper	Caliper at planting	Gallons	Ball + Burlap	Box	Panel Quantity
Up to 12"	-	5-15	16"	N/A	5
Up to 18"	1 1/2" - 2"	5-15	20-24"	20"	5
Up to 24"	2 1/2" - 3"	15	28-32"	20" & 24"	6
Up to 24"	3 1/2"	N/A	38"	30"	7

STEP 3

Assemble the DeepRoot Tree Root Guides. The vertical deflecting ribs on the panels must face inward, toward the root ball. (This is very important, otherwise the roots will become girdled by traveling around the smooth-walled surface.) Slide one panel on to the next as pictured in Figure 2 to form a closed circle.

FIGURE 2



STEP 4

Place the circle of joined tree root guides in the center of the planting hole. The top edge (broad, flat surface 3/8" wide above arrow pointing to grade) should be positioned approximately 1/2" above grade. Failing to position the top edge above grade can allow root overgrowth and may lead to uprooted hardscapes.

STEP 5

Prepare the planting hole for the placement of the tree. The tree should be planted with the root crown — the section of the tree where the trunk ends and the roots begin — approximately 1" above grade. If soil is added above the crown it may lead to rot at the base of the trunk. Fill in the barrier with excavated soil to the level that will keep the root crown 1" above grade. As you fill, compact the soil firmly every few inches.

STEP 6

Remove the tree from its container, or cut away the top portion of the burlap. If planting a container tree, check for circling roots and cut away any if found. Free the roots at the edge of the root ball and break away some of the soil to better provide contact between the roots and the fill soil. Comb the bottom roots away from the root ball. Be sure when handling the tree to lift it from the base of the root ball, not the trunk.

STEP 7

Place the tree in the center of the planting hole and barrier. Now is the time to orient the tree. If possible, try to orient it the same way it was in the nursery to avoid sun scald.

STEP 8

Fill in the rest of the hole with the excavated soil. Distribute evenly to maintain the shape of the barrier and lightly compact the backfill with foot pressure every 4-6 inches. Roots will die quickly if left exposed to the elements, so keep exposure of bare roots to a minimum.

STEP 9

Add mulch to the top 2-4", if desired, while being careful not to cover the top edge of the barrier. If the tree will be subject to maintenance work, such as lawn mowing or weed mowing, consider adding some kind of protective barrier or blockade to prevent damage.

STEP 10

Water and nurture your tree after planting. Consult with your local supplier for proper care procedures for the species you are planting. If necessary, stake the tree with ArborTie™. Remember to ensure removal of the stakes in a timely fashion.

These planting instructions are by no means a comprehensive guide. Rather, they are general guidelines to planting with DeepRoot products that combine our 45 years of experience and a survey of current planting methods. Conditions will vary, however, and it is recommended that you consult a local arborist before planting.

While our experience has shown that the proper use and installation of DeepRoot Tree Root Guides produces deep root growth, trees are living things whose growth cannot always be predicted.

Accordingly, DeepRoot makes no warranties, express or implied, including without limitation any warranties of merchantability or fitness for a particular purpose, regarding its tree root guides. In particular, it makes no warranty as to the effect of DeepRoot Tree Root Guides on the growth of any tree, on the growth of its roots, or on any nearby structures. It is recommended that a local arborist be consulted.