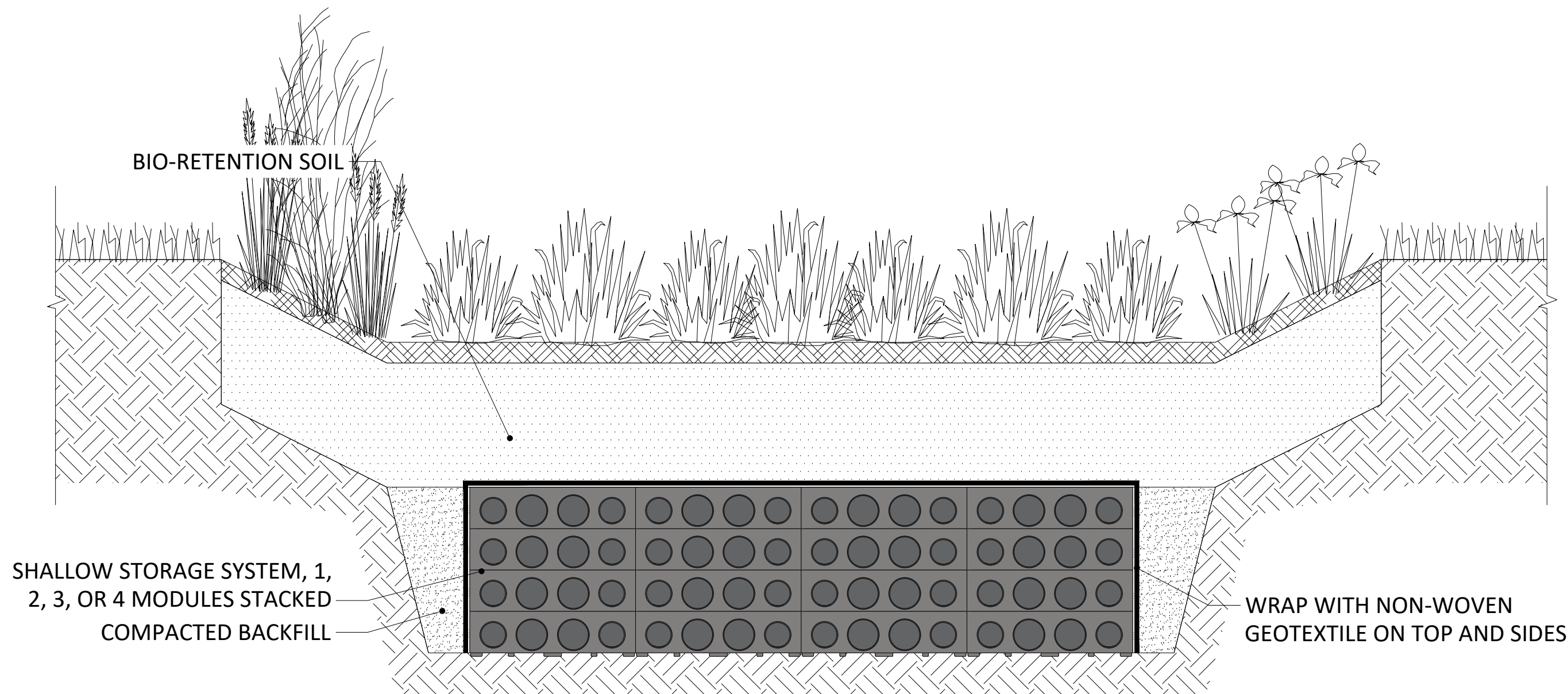
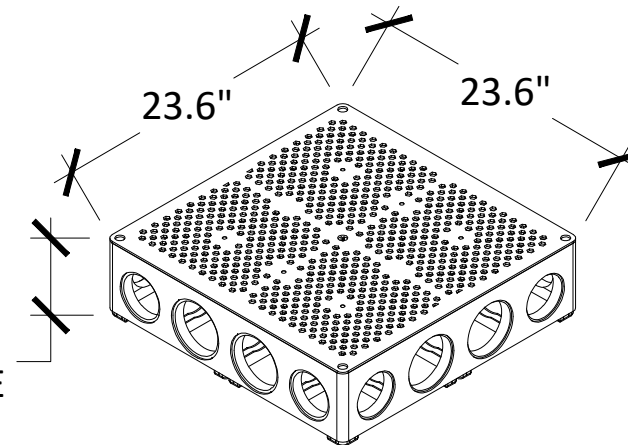


MODULES CAN BE STACKED IN CONFIGURATIONS OF 1, 2, 3, OR 4 UNITS HIGH. THE GRATE IS ONLY INSTALLED ONTO THE TOP MODULE IN THE STACK.

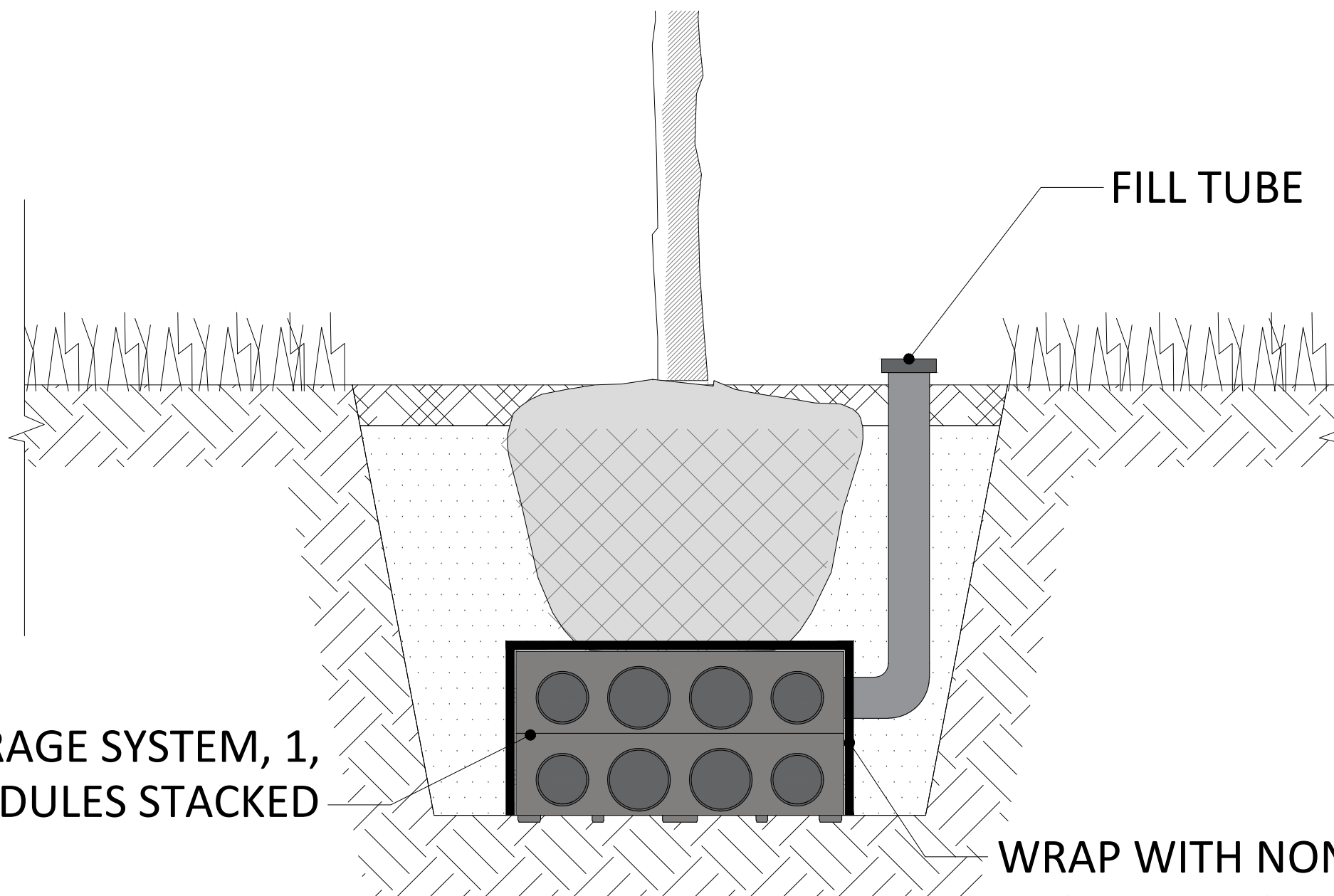
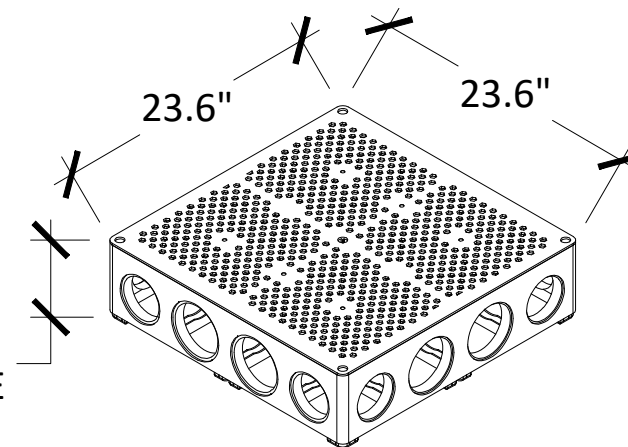
6.4" MODULE HEIGHT  
+ 0.2" GRATE ON TOP MODULE



SHALLOW STORAGE APPLICATIONS  
DETENTION FOR BIO-INFILTRATION FACILITIES

MODULES CAN BE STACKED IN CONFIGURATIONS OF 1, 2, 3, OR 4 UNITS HIGH. THE GRATE IS ONLY INSTALLED ONTO THE TOP MODULE IN THE STACK.

6.4" MODULE HEIGHT  
+ 0.2" GRATE ON TOP MODULE



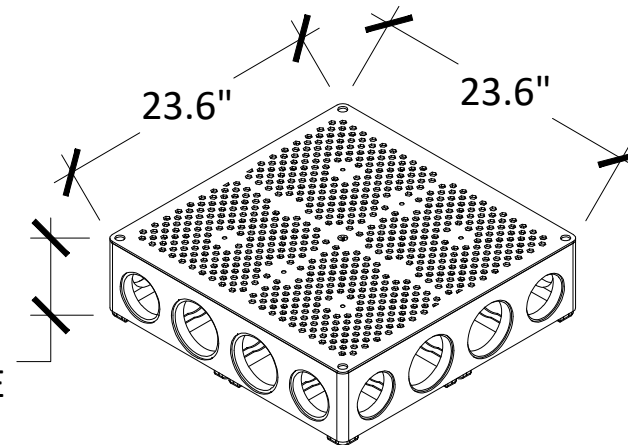
SHALLOW STORAGE SYSTEM, 1,  
2, 3, OR 4 MODULES STACKED

WRAP WITH NON-WOVEN  
GEOTEXTILE ON TOP AND SIDES

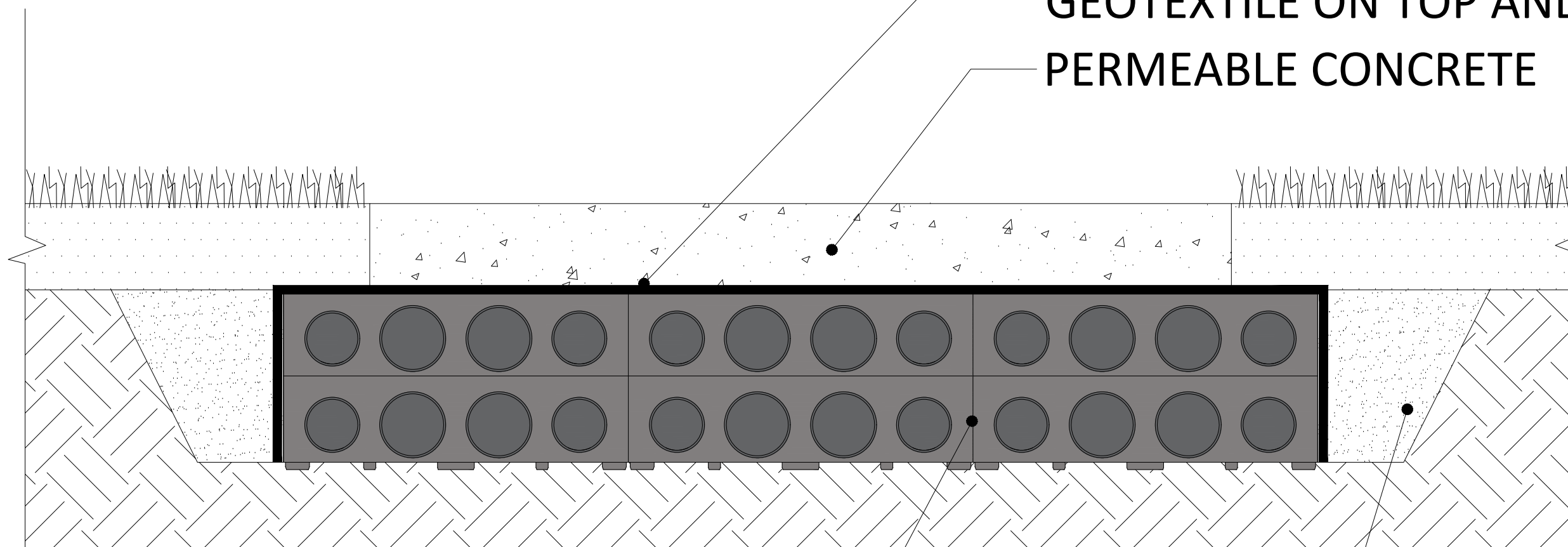
SHALLOW STORAGE APPLICATIONS  
NEW TREE WATERING SYSTEM

MODULES CAN BE STACKED IN CONFIGURATIONS OF 1, 2, 3, OR 4 UNITS HIGH. THE GRATE IS ONLY INSTALLED ONTO THE TOP MODULE IN THE STACK.

6.4" MODULE HEIGHT  
+ 0.2" GRATE ON TOP MODULE



WRAP WITH NON-WOVEN  
GEOTEXTILE ON TOP AND SIDES  
PERMEABLE CONCRETE

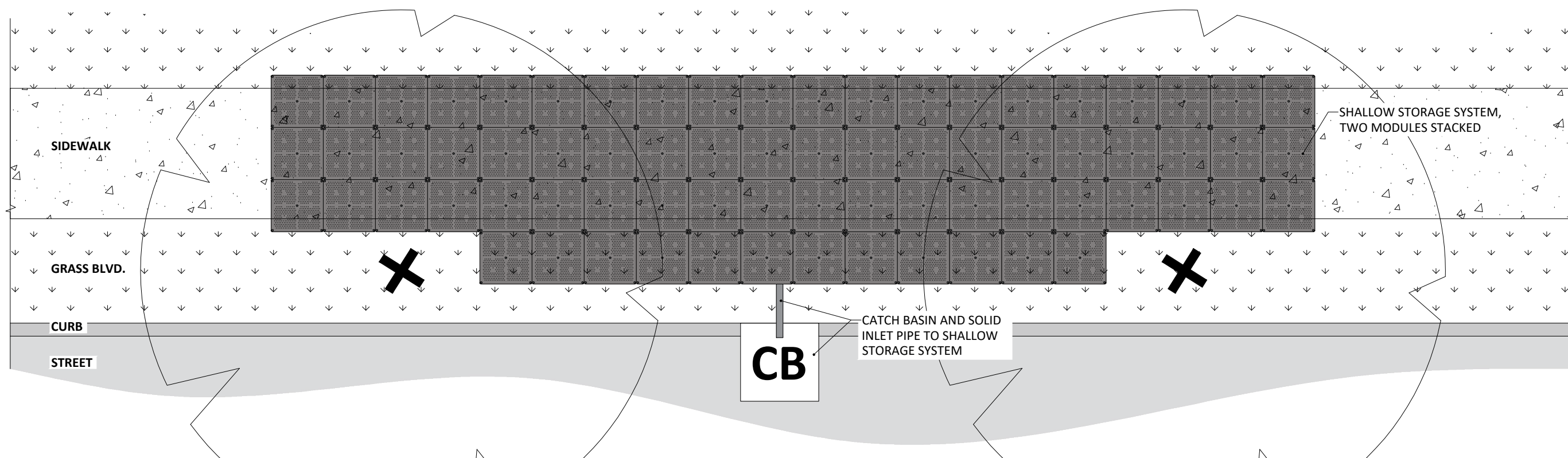
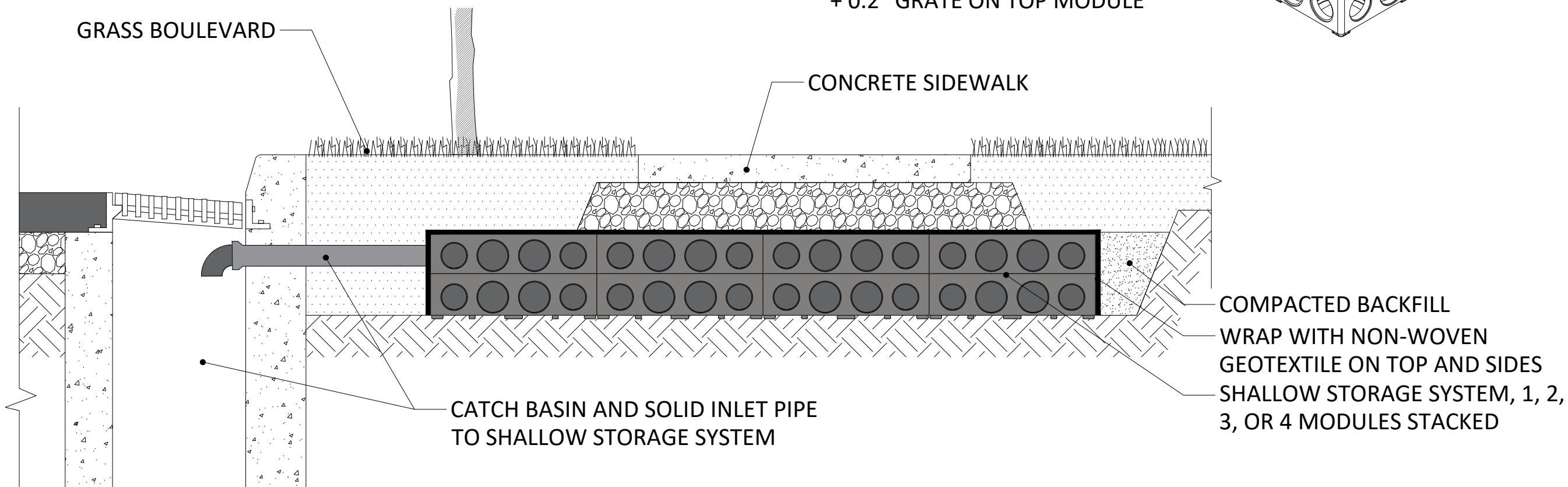
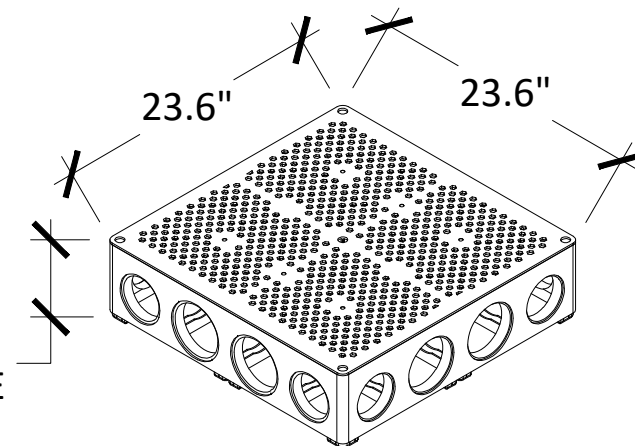


SHALLOW STORAGE SYSTEM, 1,  
2, 3, OR 4 MODULES STACKED

COMPACTED  
BACKFILL

SHALLOW STORAGE APPLICATIONS  
PERMEABLE CONCRETE

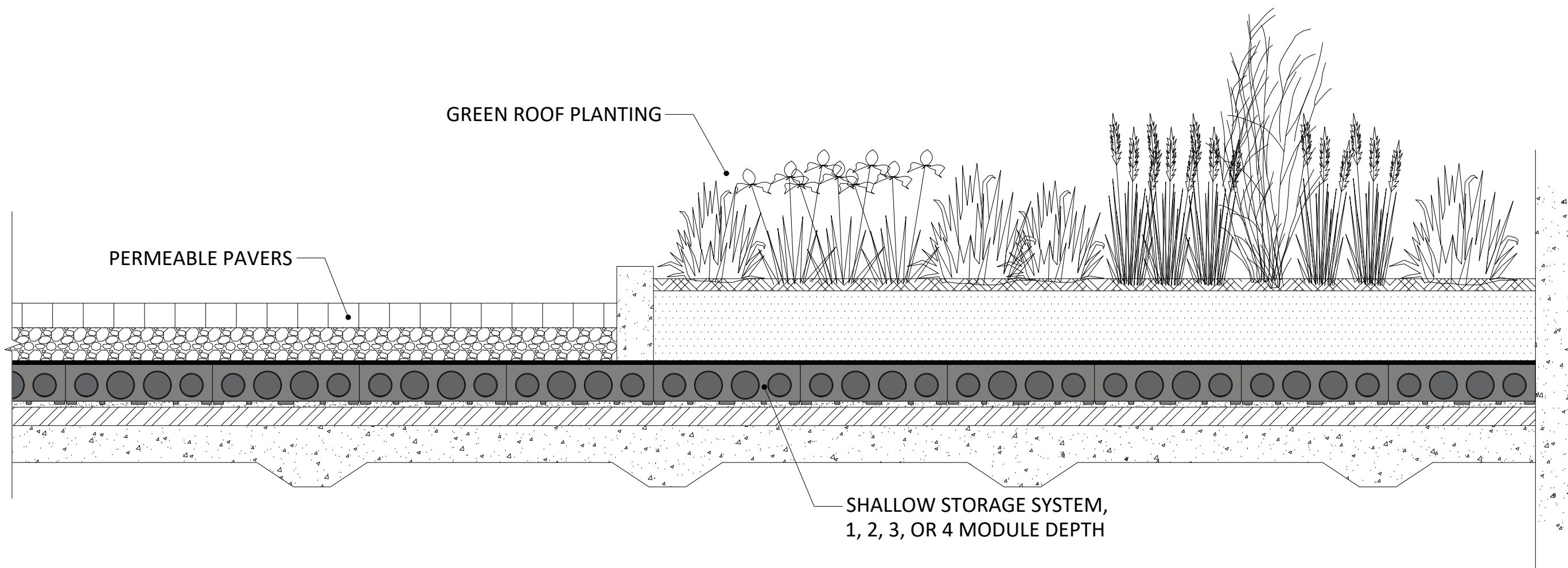
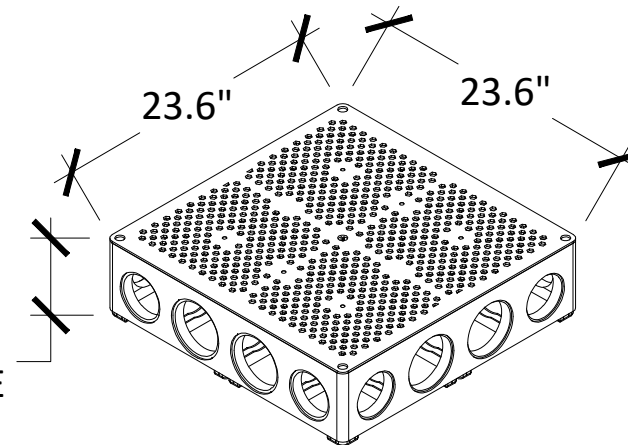
MODULES CAN BE STACKED IN CONFIGURATIONS OF 1, 2, 3, OR 4 UNITS HIGH. THE GRATE IS ONLY INSTALLED ONTO THE TOP MODULE IN THE STACK.



SHALLOW STORAGE APPLICATIONS  
MICRO DRAINAGE

MODULES CAN BE STACKED IN CONFIGURATIONS OF 1, 2, 3, OR 4 UNITS HIGH. THE GRATE IS ONLY INSTALLED ONTO THE TOP MODULE IN THE STACK.

6.4" MODULE HEIGHT  
+ 0.2" GRATE ON TOP MODULE



SHALLOW STORAGE APPLICATIONS  
GREEN ROOF