

TREE ROOT BARRIERS

Protect hardscapes from root damage with patented mechanical guiding barriers.



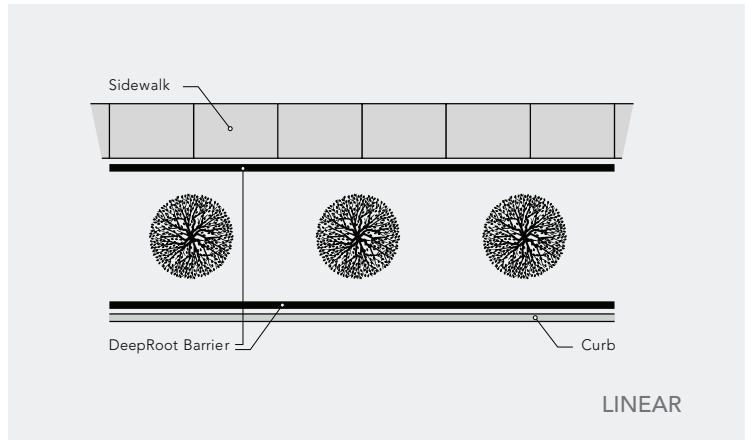
DeepRoot Tree Root Barrier Applications

Root barriers come in five different depths: 12", 18", 24", 36", and 48". All barriers are 24" wide. The depth of barrier you need will vary by site and application.

LINEAR

Provide maximum hardscape protection while utilizing all available rooting space for improved tree health by placing guides in a straight line directly along the hardscape to be protected.

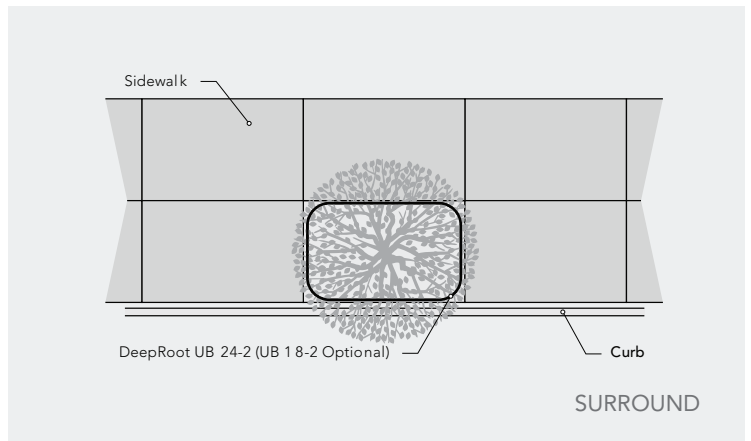
Linear models include UB 12-2, UB 18-2, UB 24-2, UB 36-2, and UB 48-2.



SURROUND

Protect hardscapes that surround a planting on all four sides. Plan to line the perimeter of the planting area with the panels – this provides the maximum available uncompacted soil volume for immediate root growth.

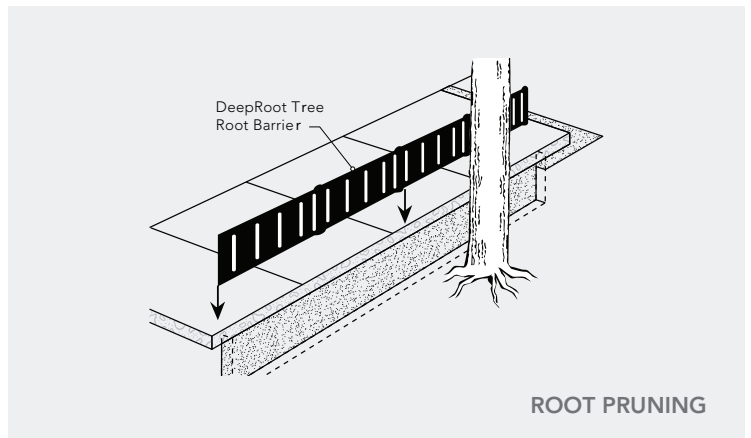
Surround models include UB 12-2, UB 18-2 and UB 24-2.



ROOT PRUNING

Root pruning can help save existing trees and prevent future damage to paving. Disruptive roots are cleanly cut and removed; linear Root Barrier is then installed. There are limitations to root pruning and a qualified Certified Arborist should be consulted.

Root pruning models include UB 12-2, UB 18-2, and UB 24-2.



SPECIALTY APPLICATIONS

Help protect sites with unusual requirements—like tennis courts, slopes, cemeteries and retaining walls—from root damage. DeepRoot Tree Root Barriers of different sizes can be used in combination in areas of variable depth.

ROOT BLOCK

In some circumstances it may be more desirable to prevent root intrusion by blocking roots, not redirecting them. Please see our Geomembrane catalog for details.

Application Styles

| Product # | Linear | Surround | Root Pruning | Specialty |
|-----------|--------|----------|--------------|-----------|
| UB 12-2 | • | | • | |
| UB 18-2 | • | • | • | |
| UB 24-2 | • | • | • | • |
| UB 36-2 | • | | • | • |
| UB 48-2 | • | | • | • |

Product Uses

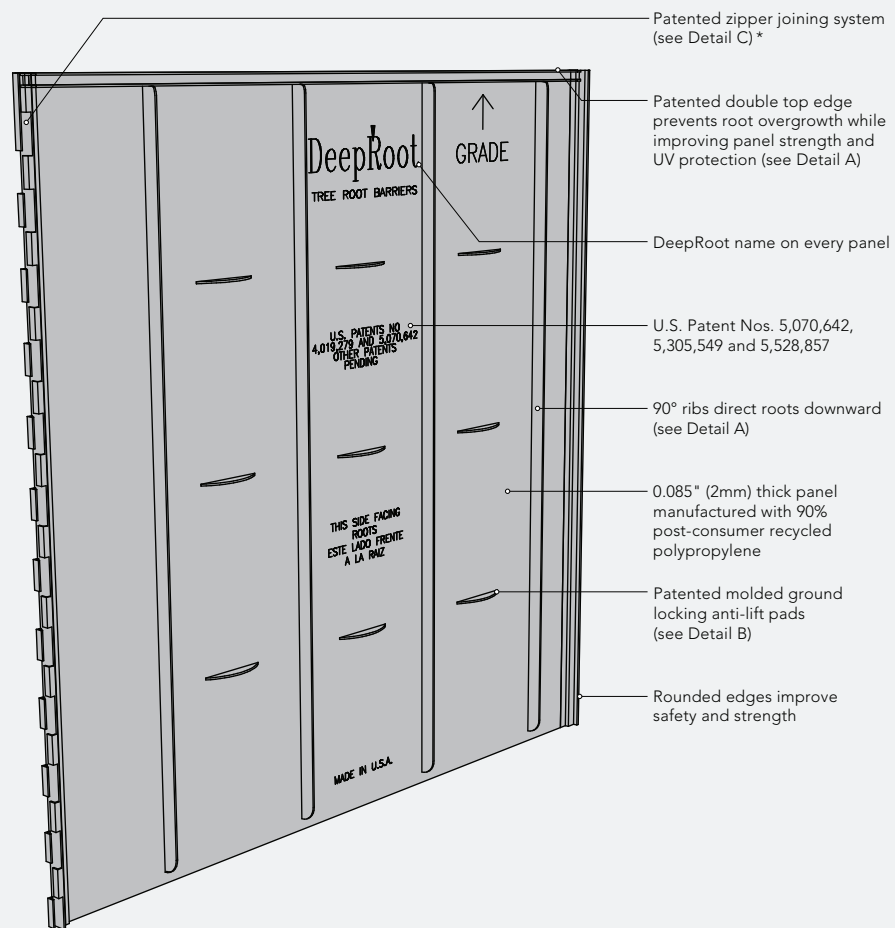
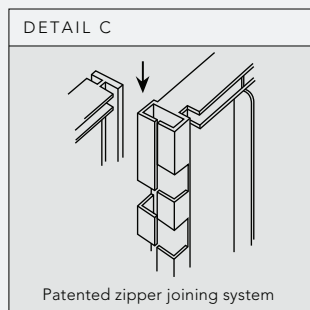
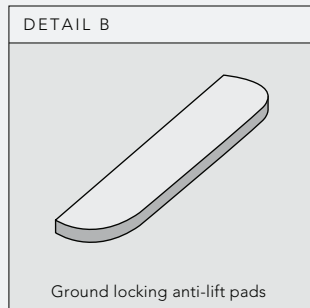
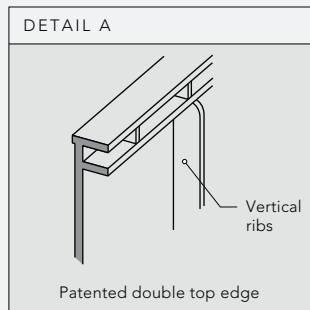
| Product # | Sidewalks | Curbs & Gutters | Paths | Medians | Patios | Specialty |
|-----------|-----------|-----------------|-------|---------|--------|-----------|
| UB 12-2 | | | • | | | |
| UB 18-2 | • | | • | | • | |
| UB 24-2 | • | • | • | • | • | • |
| UB 36-2 | | | | | | • |
| UB 48-2 | | | | | | • |

Design Features

DeepRoot Root Barriers effectively manage root expansion without compromising tree health or growth, and can be used both on new plantings and existing trees. Vertical ribs guide the roots downward and away from hardscapes, and our patented double top edge increases the strength and safety of the panel and protects against root overgrowth. The rounded edges make the panels safe and easy to handle, and the patented groundlock tabs prevent them from shifting or being lifted by roots.

UB 12-2, UB 18-2 and UB 24-2 panels are connected by simply sliding the patented zipper edge of one panel onto another — there are no glues or additional joining strips required. UB 12-2, UB 18-2, and UB 24-2 are manufactured in the USA in ISO 9002 certified factories using 90% post-consumer recycled plastic.

For more information about Tree Root Barrier installation, please see our Specification and Installation manual. DeepRoot products are protected under one or more of the following U.S. Patents: 5,070,642, 5,305,549 and 5,442,89.



* UB 12-2, UB 18-2 and UB 24-2 only.

DeepRoot is committed to finding new and progressive ways to integrate trees—and all the benefits that come with them—into cities. We achieve this without compromising street space, parking places, or any other urban non-negotiables.

DeepRoot was founded in 1976 when an industrial designer tripped on an uprooted sidewalk and ruined a new pair of shoes. From these humble beginnings grew a leading urban landscape products supplier, and we continue our work to design the best products to make urban environments hospitable places for the earth's natural functions.



DeepRoot Green Infrastructure, LLC
101 Montgomery Street,
Suite 2850, San Francisco, CA 94104

Tel: 415 781 9700
Toll Free: 800 458 7668
Fax: 415 781 0191
www.deeprooot.com
info@deeprooot.com

DeepRoot Canada Corp.
Suite 341 – 550 West Broadway
Vancouver, BC V5Z 0E9

Tel: 604 687 0899
Toll Free: 800 561 3883
(Canada Only)
Fax: 604 684 6744
mjames@deeprooot.com

DeepRoot Urban Solutions, Ltd.
6 Dorset Street
London
W1H 6QL
United Kingdom

Tel: +44 (0) 207 969 2739
Fax: +44 (0) 207 969 2800
steve@deeprooot.com